

**C.H. BOILERS**  
**FIREPLACES**  
**PELLETS**

**fu-wi**  
Sp. z o.o.

Energia w zgodzie z ekologią

The energy in accordance with ecology

**FU-WI” Ltd. in Elbląg,  
27 years of experience in production  
heating devices and ecological fuel  
Pellets**

**CENTRAL HEATING BOILERS**  
– steel and cast-iron

**FIREPLACES** – traditional and with water  
block

**PELLETS** – ECOLOGICAL SOLID FUEL:

- Wood granulate (sawdust),
- Agro granulate (mix of sawdust and hay)

**ARTUR ZIELENIEWSKI**  
**Chairman of Management**



**For owners of family houses, guesthouses, commercial objects and recreational object and other structures looking for economical solutions for heating and warm water, we offer an ecological devices fired by Pellets.**



**In contrast to the competing solutions, offered by us products is characterized by high efficiency (over 91%), automated system of functioning (automated lighting and feeding Pellets), an innovative, protected by patent boiler furnace.**





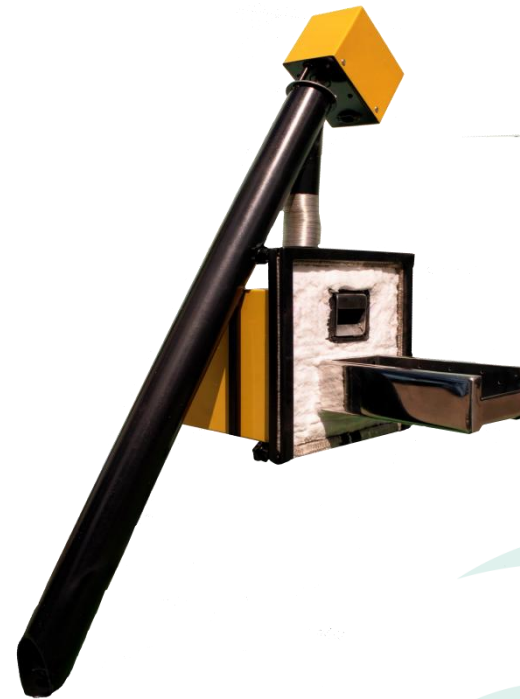
**ENERGY  
FOR ECOLOGY**

**C.H. BOILERS ♦ FIREPLACES  
PELLETS**

**Cross section of c.h. boiler building.**



**Feeder and burner of c.h. boiler FUWI  
for Pellets.**



MINISTRY  
OF THE ENVIRONMENT

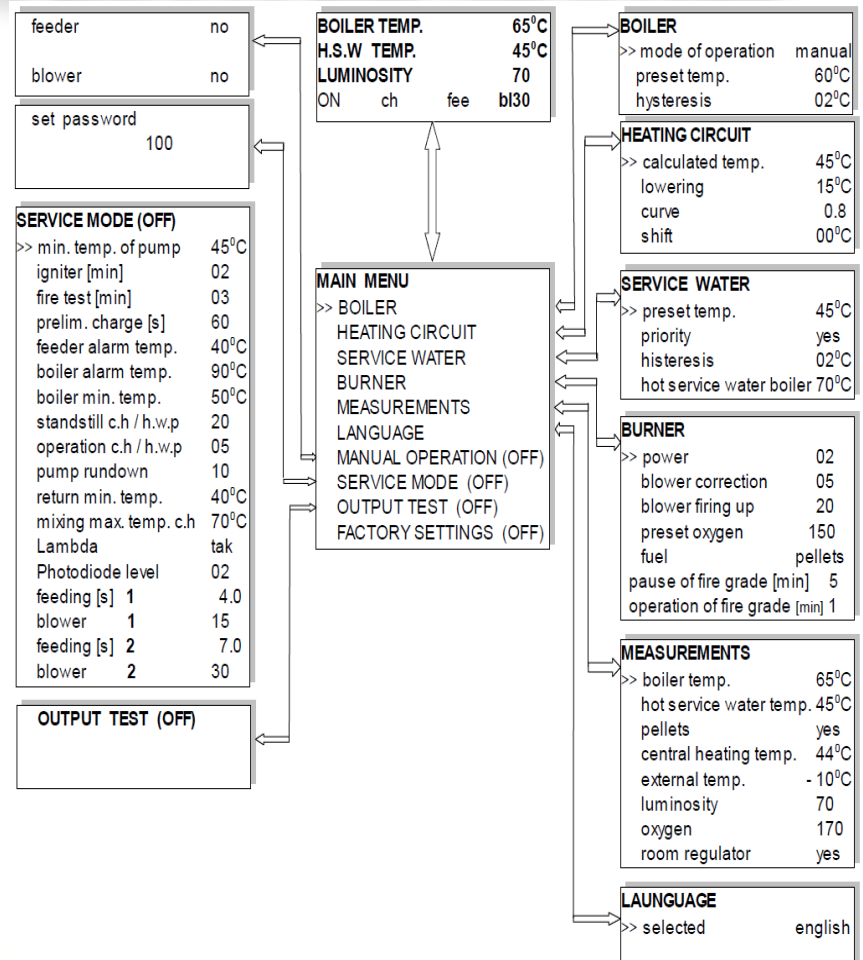


Co-financing by National Fund for  
Environmental Protection and  
Water Management

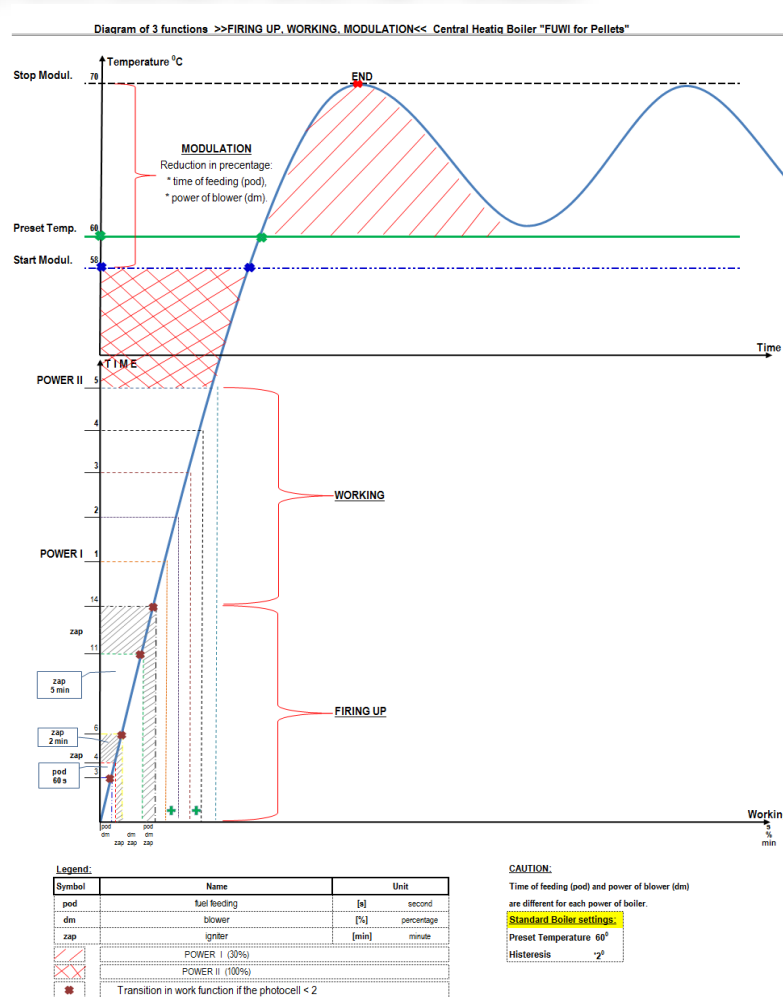
**GREENEVO**  
TECHNOLOGY ACCELERATOR



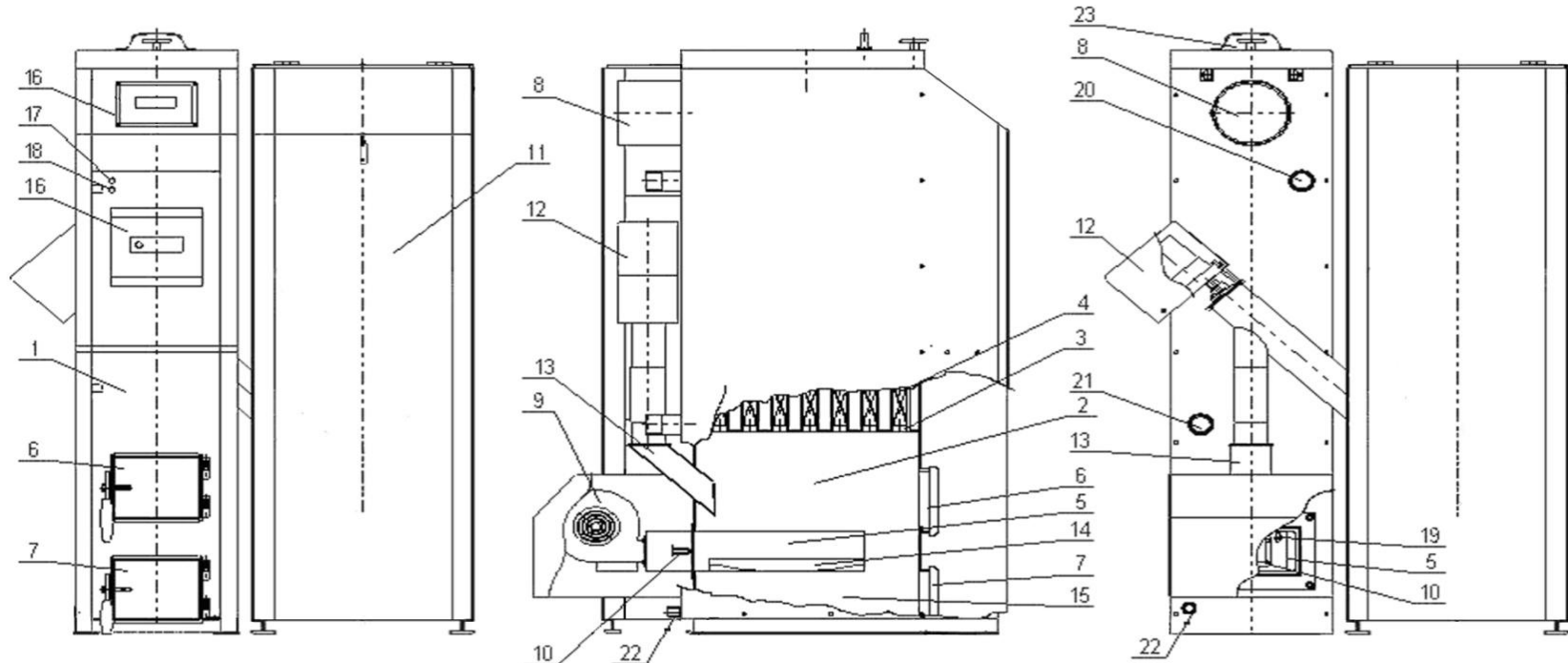
## Steering panel (display) of Automatic and Menu of c.h. boiler FUWI for Pellets.



## Diagram Modulation of c.h. boiler FUWI for Pellets.



## Construction scheme - c.h. boiler FUWI for Pellets.



- 1. Boiler casing
- 2. Combustion chamber
- 3. Smoke tubes
- 4. Swirler
- 5. Grate burner
- 6. Fumace door

- 7. Ash - pan door
- 8. Smoke conduit
- 9. Burner fan
- 10. Fuel lighter
- 11. Fuel tank
- 12. Feeding screw

- 13. Chute tube
- 14. Burner grate
- 15. Ash - pan chamber
- 16. Boiler operation controller
- 17. Water temperature sensor
- 18. Thermal protection sensor

- 19. Photodiode
- 20. Feed connection pipe
- 21. Return connection pipe
- 22. Blowdown connection
- 23. Top cleaning hole



**ENERGY  
FOR ECOLOGY**

**C.H. BOILERS ♦ FIREPLACES  
PELLETS**

**Central Heating Boilers, FUWI for Pellets – Small size**  
44kW - 100 kW



128 cm - 140 cm

155 cm

**15kW - 30 kW**



72 cm - 81 cm

141 cm

**9 kW**



60 cm

105 cm

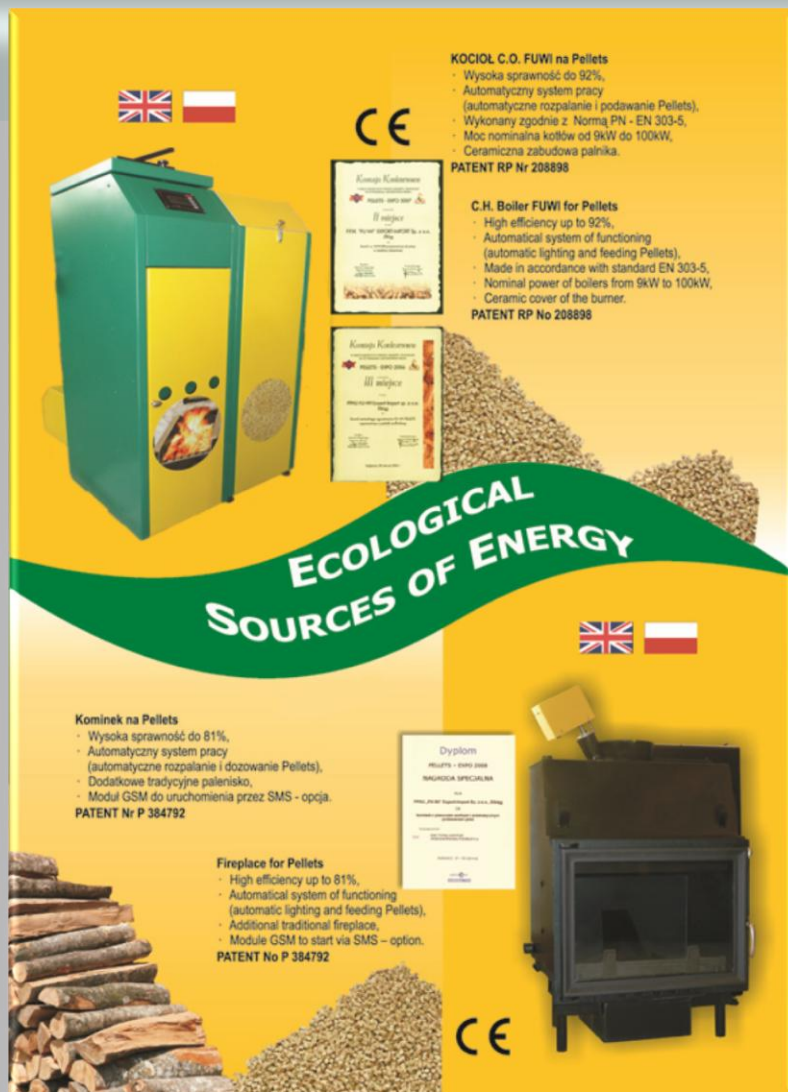


MINISTRY  
OF THE ENVIRONMENT



Co-financing by National Fund for  
Environmental Protection and  
Water Management

**GREENEV**  
TECHNOLOGY ACCELERATOR



**KOCIOŁ C.O. FUWI na Pellets**

- Wysoka sprawność do 92%.
- Automatyczny system pracy (automatyczne rozpalanie i podawanie Pellets).
- Wykonany zgodnie z Normą PN - EN 303-5.
- Moc nominalna kotłów od 9kW do 100kW.
- Ceramiczna zabudowa palnika.

PATENT RP Nr 208898

**C.H. Boiler FUWI for Pellets**

- High efficiency up to 92%.
- Automatic system of functioning (automatic lighting and feeding Pellets).
- Made in accordance with standard EN 303-5.
- Nominal power of boilers from 9kW to 100kW.
- Ceramic cover of the burner.

PATENT RP No 208898

**Kominiek na Pellets**

- Wysoka sprawność do 81%.
- Automatyczny system pracy (automatyczne rozpalanie i dozowanie Pellets).
- Dodatkowe tradycyjne palenisko.
- Moduł GSM do uruchomienia przez SMS - opcja.

PATENT Nr P 384792

**Fireplace for Pellets**

- High efficiency up to 81%.
- Automatic system of functioning (automatic lighting and feeding Pellets).
- Additional traditional fireplace.
- Module GSM to start via SMS - option.

PATENT No P 384792

**ECOLOGICAL SOURCES OF ENERGY**

- Efficiency up to 91%.
- In accordance with Norm PN-EN 303-5:2012.
- Range : 9kW, 15kW, 22kW, 30kW, 44kW, 55kW, 80kW, 100kW.
- Automatic operation (feeding and lighting fuel).
- Small size.
- Building ceramic burner.

- Efficiency up to 81%
- In accordance with Norm PN-EN 14785:2009
- Automatic operation (feeding and lighting fuel).
- Additional traditional furnace.
- Module GSM to starting via SMS.



## Exploitation values

### ➤ **ECONOMY:**

▪ *Comparing the operating costs of the presented technology to other boilers with similar power, gas or fuel oil fueled capacity powered, is obtained from 30 to 100% savings,*

### ➤ **FUNCTIONALITY:**

▪ *Modern and compact design in a single focused on small blocks, allows installation of device in small spaces. Automatic supervising the whole system work, self corrects the time of dosage fuel and power the fan through a smooth modulation of the burner power from 30% to 100%.*

### ➤ **SECURITY:**

▪ *Multi-security system of boiler and fuel in the tank, allows for effective functioning in the open and closed heating systems. In accordance with European Norm PN-EN 303-5:2012 technology obtained the highest III class of efficiency and CO<sub>2</sub> emission.*

### ➤ **ECOLOGY:**

▪ *Long-term ecologic effect through reduction CO<sub>2</sub> emission, resulting from the use of recommended ecological fuel Pellets.*

**EXAMPLE INSTALLATION IN COMMERCIAL WITH 2 100 M<sup>2</sup> HEATING SPACE.**



**2012 YEAR, POLAND, GDYNIA,  
SIM GDYNIA HOLDING LTD.**

Presented technology has been implemented in about 4 500 domestic and foreign customers (Sweden, Lithuania, Latvia Denmark, Germany, France, Portugal, Austria, Greece, Italia, United Kingdom, Russia, New Zealand), both individual and institutional securing buildings the heat with area of 30m<sup>2</sup> to 1 000m<sup>2</sup>:

- Single and multifamily houses,
- Commercial recreational objects and guesthouses,
- Production and warehouse halls.

**IMPLEMENTATION OF THE TECHNOLOGY GAVES FOR CUSTOMER THE FOLLOWS RESULTS:**

- **REDUCTION OF HEATING COST,**
- **REDUCTION OF HEATING ROOM AREA,**
- **MINIMIZATION OF DEVICE MAINTENANCE NECESSITY,**
- **INCREASE THERMAL EFFICIENCY,**
- **REDUCTION OF EXHAUST GAS EMISSION TO ENVIRONMENT .**



**AVERAGE CONSUMPTION OF FUEL PELLETS DURING HEATING SEASON  
(7 MONTHS) IS APPROXIMATELY 3 TONS FOR 100 M<sup>2</sup> HEATING SPACE.**



**ENERGY  
FOR ECOLOGY**

**C.H. BOILERS ♦ FIREPLACES  
PELLETS**

**THANK YOU FOR YOUR ATTENTION  
WE'RE INVITING TO COOPERATION.**

**FU-WI Ltd.**

**Poland, 82-300 Elbląg, Grochowska street 5 b**

**Tel: +48 55 232 65 38**

**Fax: +48 55 236 16 00**

**Web site: [www.fuwi.pl](http://www.fuwi.pl)**

**E-mail: [info@fuwi.pl](mailto:info@fuwi.pl)**



**GREENEVO**  
TECHNOLOGY ACCELERATOR